

660 and 1100 Litre Steelybin:

The ultimate solution for heavy or bulky waste



Design Features

- Comb edge compatible with standard lifting equipment
- Triangular lid lock as standard
- Double skinned rotationally moulded lid allows water run off



Reinforced Body

- Manufactured from 1.5mm steel panels for added strength
- One piece pressed base improves stability and overall strength
- Internally welded seams prevent potential water ingress



Easy Handling

- Specially designed handles to improve manoeuvrability
- Sump base adds stability during transportation
- Directional locks for increased control

Material

- **Body component:**
 - Manufactured from 1.5mm thick galvanised steel
 - Resistant to decay, heat, frost and chemicals
- **Lid component:**
 - Rotationally moulded from LDPE
 - Triangular lock as standard
- **Corrosion resistant steel components**
- **Long service life**
 - High quality materials
 - Internally welded seams

Innovative Design

- One piece pressed base for improved stability and strength
- Sump base aids stability during movement
- Internally welded seams to prevent water ingress and ensure longevity
- Drain plug in base allows discharge of any liquid for easy cleaning
- Double skinned lid designed to allow water run off
- Special hinge knuckles for added strength
- Triangular lid lock as standard for increased safety
- Specially designed handles for maximum safety during transport
- Comb edge compatible with all standard lifting equipment
- Directional locks on wheels for increased safety

Customisation

- Powder coating available for customised colours*
- Individual markings and custom graphics available
- Incorporates a chip nest for insertion of RFID chips

Accessories

- For accessories and special design variations such as lid apertures, locks and towing brackets, **please click here**

Multiple lid openings and colours

- Variety of lid openings designed to suit multiple waste streams*
- Steely bin lid colours: black, red, blue, yellow



General Waste



Bottle and Can Recycling



Lid in Lid Recycling

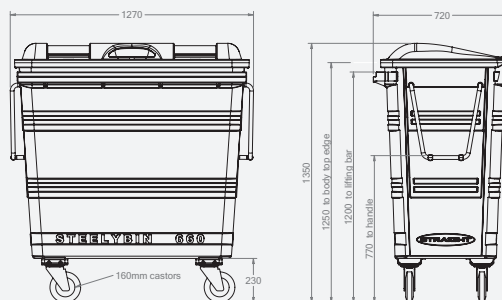
Quality

- Certified to DIN EN 840, the International standard for MGBs
- Fully compliant with noise level regulations

Dimensions - Weights - Standards

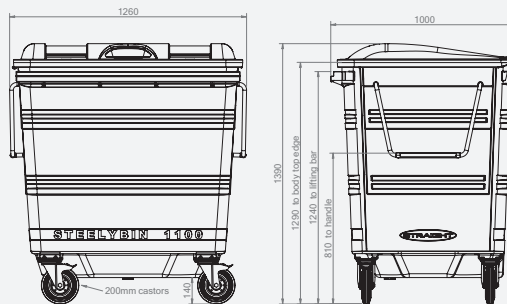
660 Litre Steelybin

- Nominal volume: 660 litres
- Net weight: approx.90 kg
- Max. load: 264 kg



1100 Litre Steelybin

- Nominal volume: 1100 litres
- Net weight: approx.100 kg
- Max. load: 440 kg



SULO®

4-Wheeled Container Systems

**BACK TO
INDEX**