

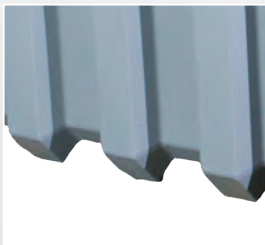
1500 Litre Container:

For large waste and recycling needs



Easy Handling

- Two rotationally moulded lids allow for easy opening
- Welded steel pockets to suit standard front lift collection trucks
- Features wheel brakes for increased safety



Strength in design

- Container is rotationally moulded with corrugated walls for increased strength and durability
- Castor reinforcement plates add strength and durability



Benefits

- Castor reinforced plates for increased longevity in the field
- Foot pedals on front wheels lock the bin into position
- Easy to manoeuvre
- Smooth interior service for easy cleaning

Features

- Rotationally moulded from specially designed LDPE
- Corrugated walls
- Resistant to decay, heat, frost and chemicals
- Special UV stabilisation provides excellent aging characteristics
- Welded steel side pockets
- Castor reinforcement plates add strength and durability
- Corrosion resistant drainage plug
- Two rotational moulded lids allow for easy opening by users.

Benefits

ADVANTAGES FOR THE USER:

- Perfect for indoor and outdoor applications
- Lighter than metal alternatives
- Easy to manoeuvre
- Ideal for wet refuse
- Does not rust and corrode in moist or salty conditions
- Safe, easy handling, even with heavy loads
- Improved water drainage with drainage plug as standard
- Reinforced base, front and rear panels for greater stability
- Welded steel side pockets suit standard front lift trucks for efficient emptying
- Corrugated walls provide increased strength
- Easy to clean due to smooth surfaces
- Fitted with drainage plug as standard

Accessories

- For accessories and special design variations such as lid apertures, locks and towing brackets, **please click here**

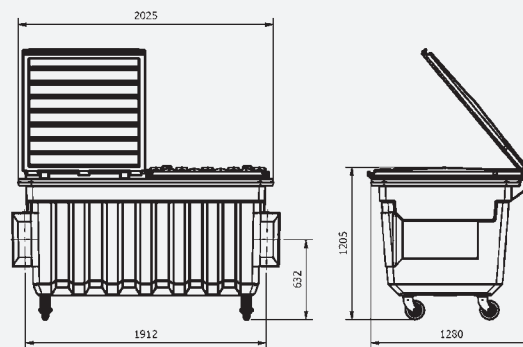
Quality

- Constant quality control through manufacturers laboratory as well as independent institutes

Dimensions - Weights - Standards

- Nominal volume: 1500 litres
- Net weight: approx. 112 kg
- Max. load: 750 kg

Measurements to be used as a guide only - variations will occur



Colours

- Green, Red, Yellow, Blue, Grey



SULO®

4-Wheeled Container Systems

**BACK TO
INDEX**